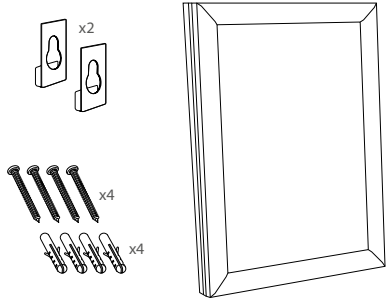


1. GRAPHIC + ANTIREFLECTION PROTECTOR PLACEMENT



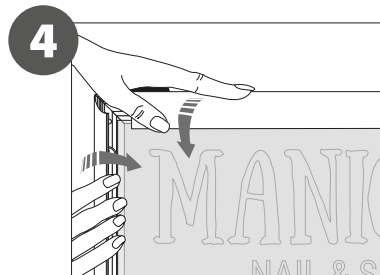
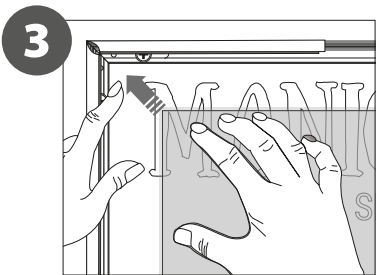
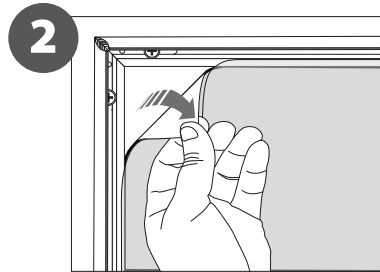
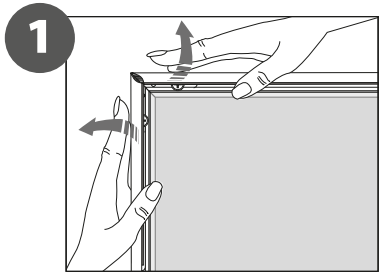
CONTENT



Open and check the content of the boxes and take out all the pieces carefully.

For setting-up frame, you must place its graphics (supplied separately) to the Click Frame following the next steps describe below. Antireflection protector and screws included.

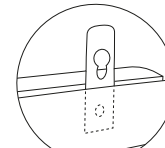
GRAPHIC ATTACHMENT **BY CLICK FRAME**



For those cases in which the graphic is **supplied by the client**, we recommend making use of the materials listed in the following **QR code** (scan for downloading Excel file). Please contact us or visit www.cashdisplay.com for more information.



2. SET UP FRAME STRUCTURE



SIMPLE HANGING SYSTEM WITH INTERIOR STUD

ANTIREFLECTION GRAPHIC PROTECTOR INCLUDED

